



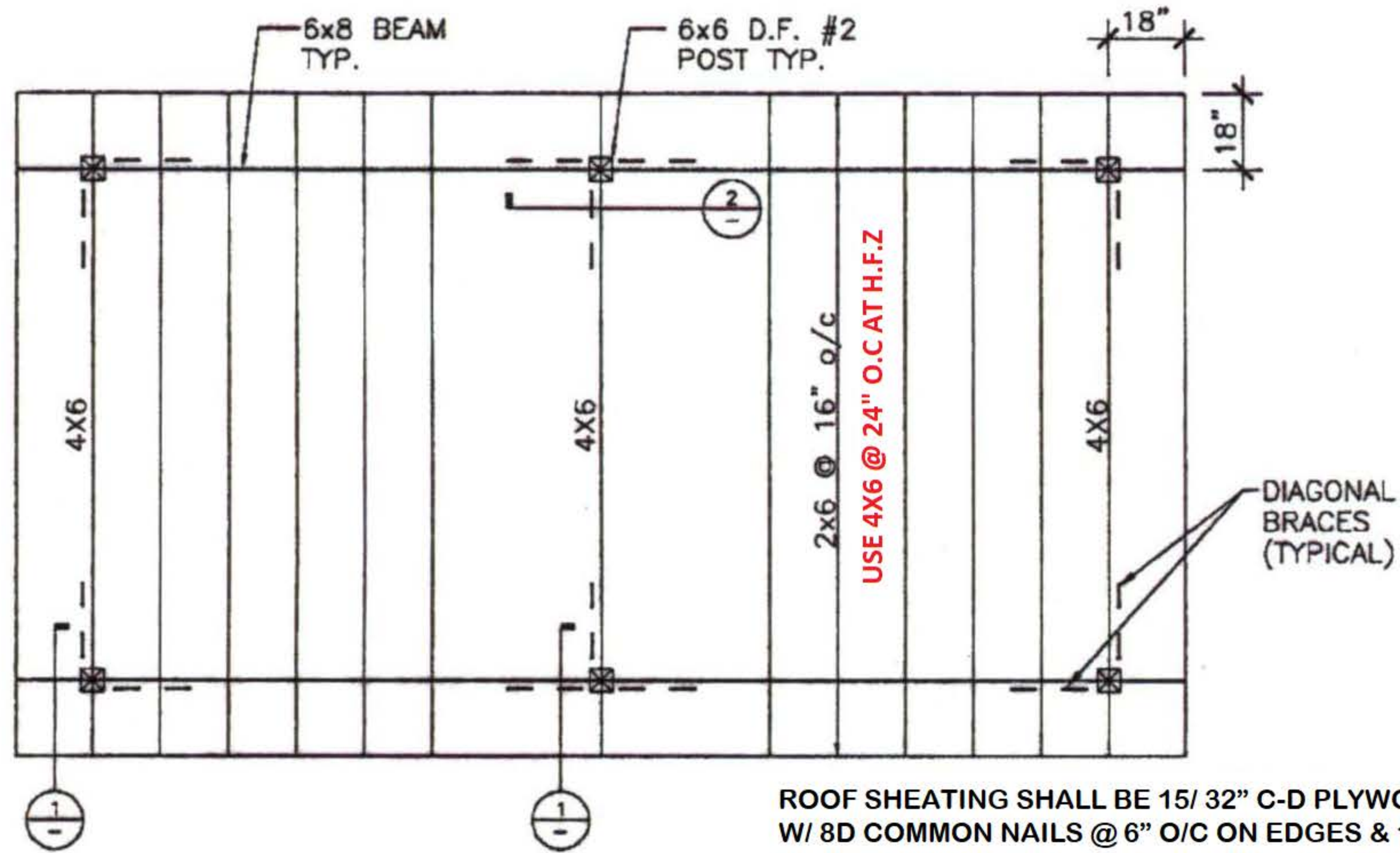
COUNTY OF RIVERSIDE
BUILDING & SAFETY DIVISION
STANDARD STRUCTURAL
CARPORT PLANS

SCALE NONE

284-170

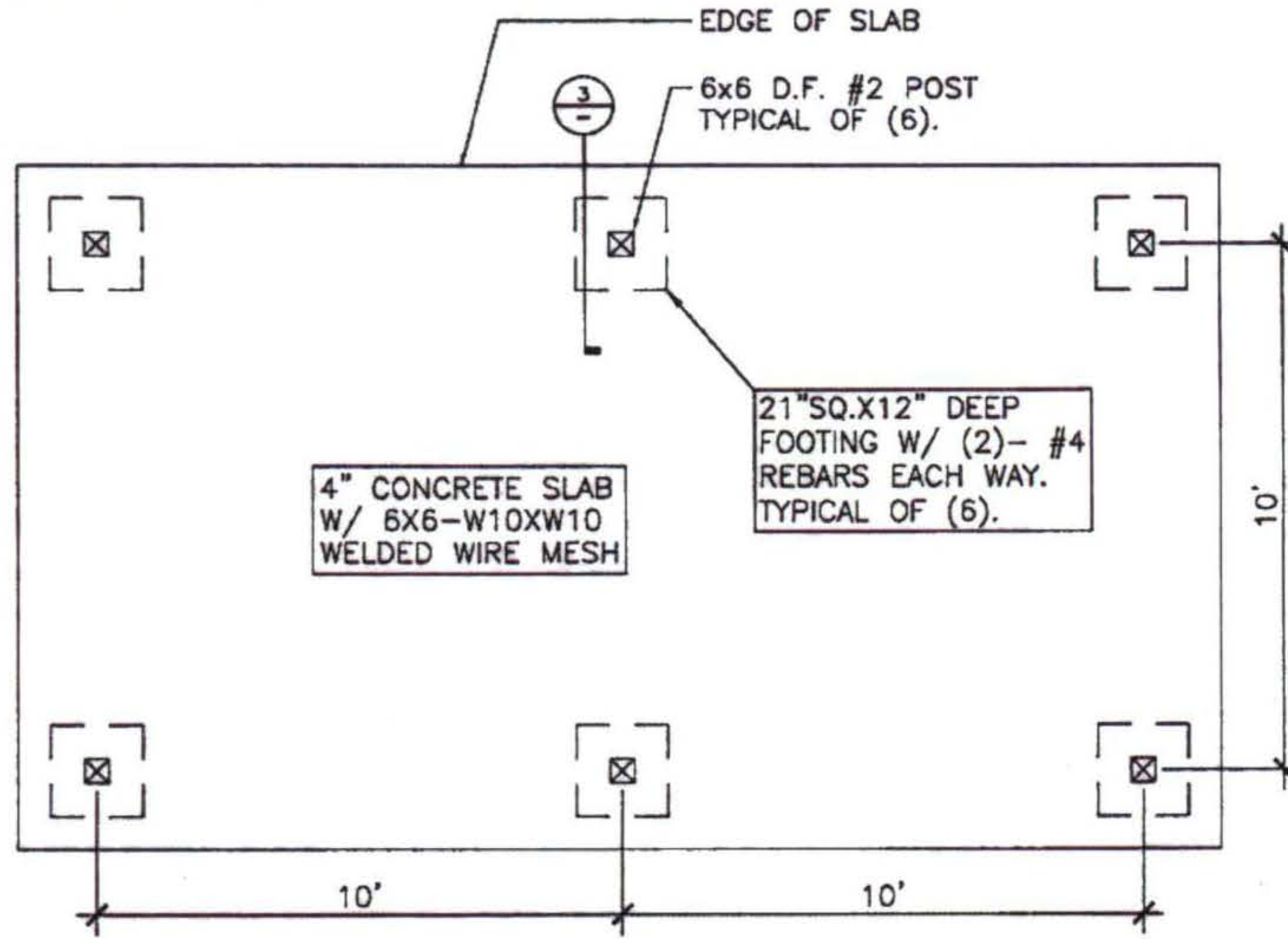
CARPORT PLANS

03/2021

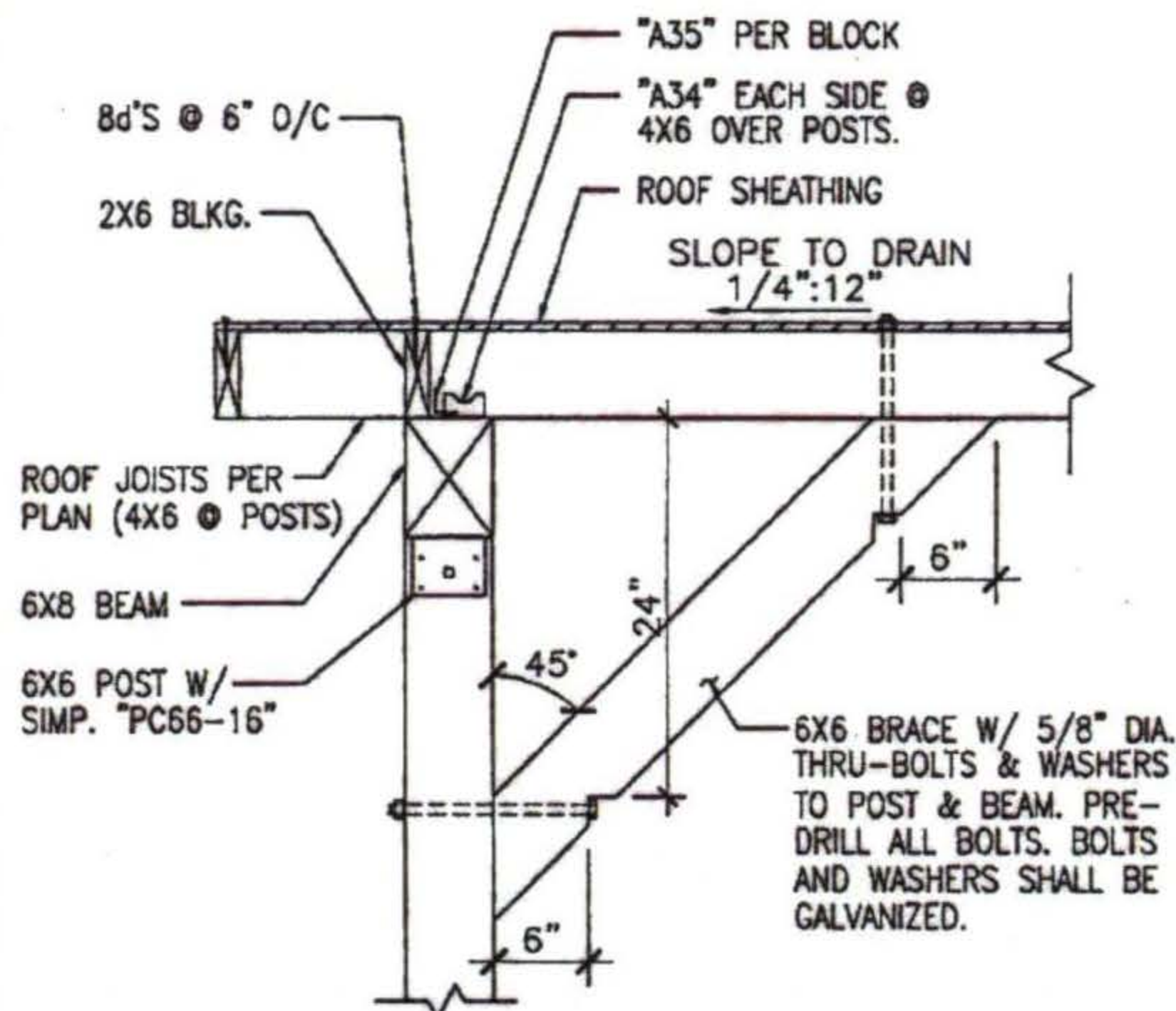


ROOF FRAMING PLAN

ROOF SHEATHING SHALL BE 15/32" C-D PLYWOOD W/ 8D COMMON NAILS @ 6" O/C ON EDGES & 12" O/C IN THE FIELD. ROOF SHEATHING SHALL BE CLASS "A" FOR HIGH FIRE ZONE

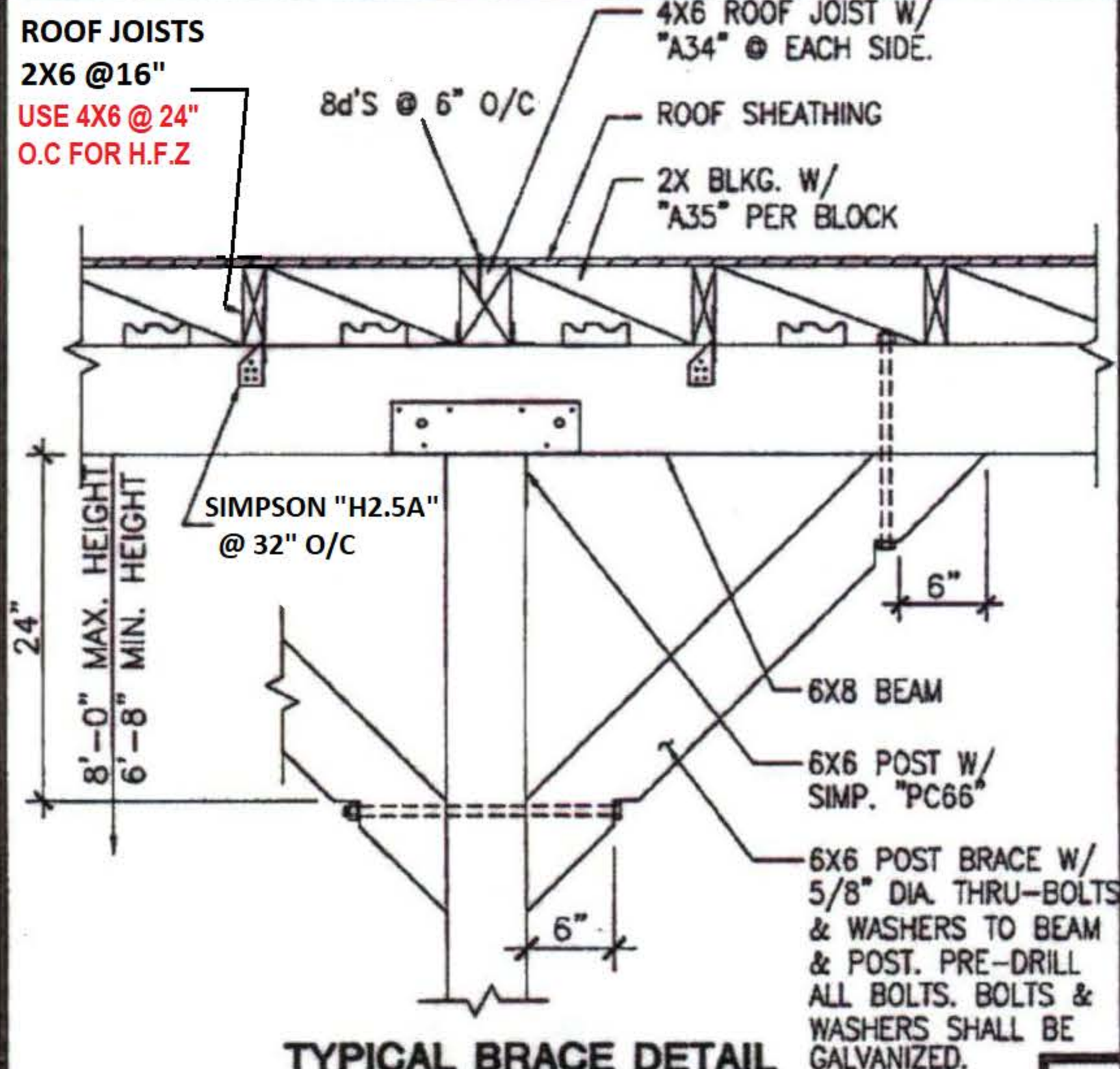


FOUNDATION PLAN



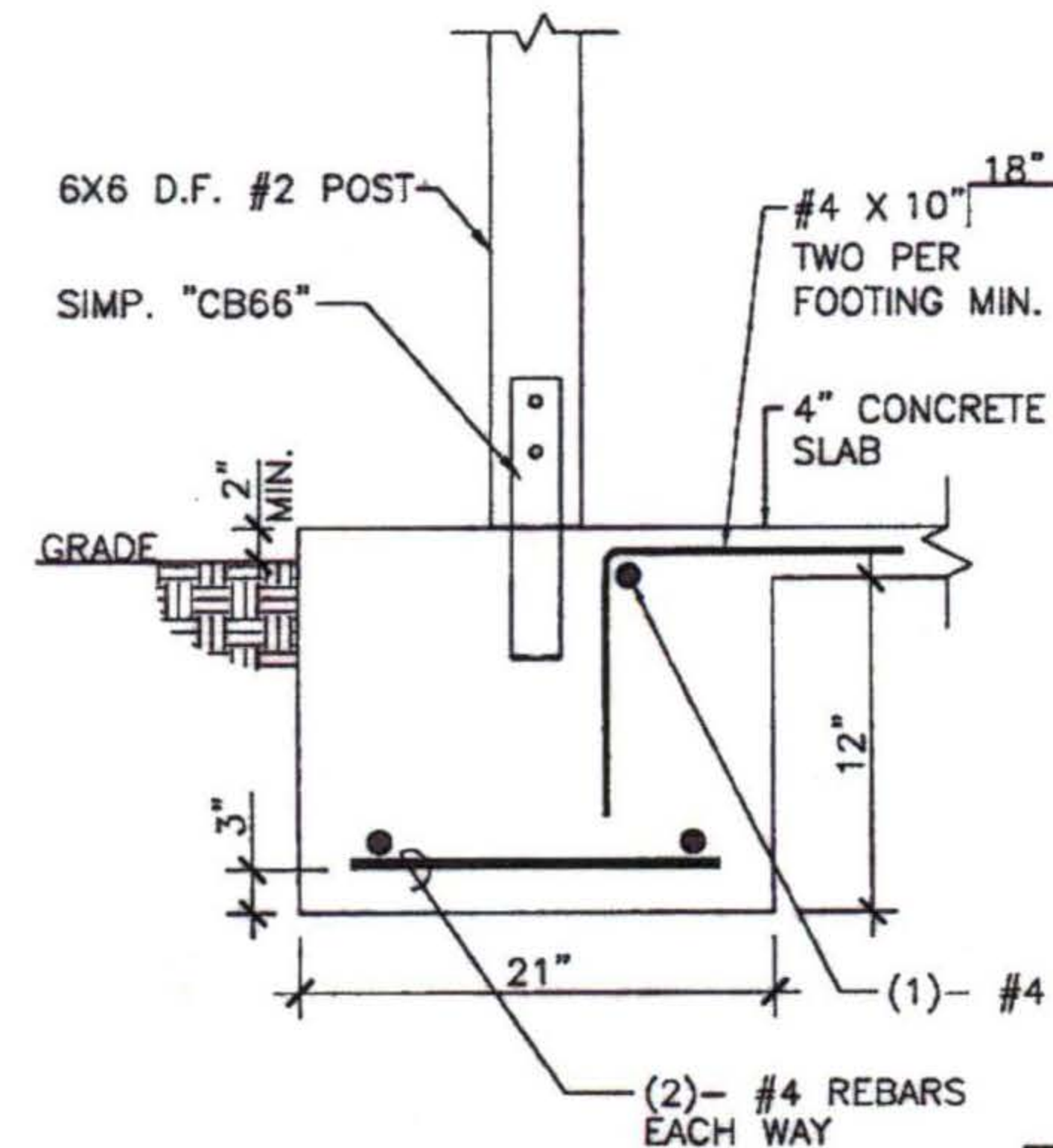
TYPICAL AT ALL POSTS (BEAM END VIEW)

1



TYPICAL BRACE DETAIL (BEAM FACE VIEW)

2



CONNECTION AT FOUNDATION

3



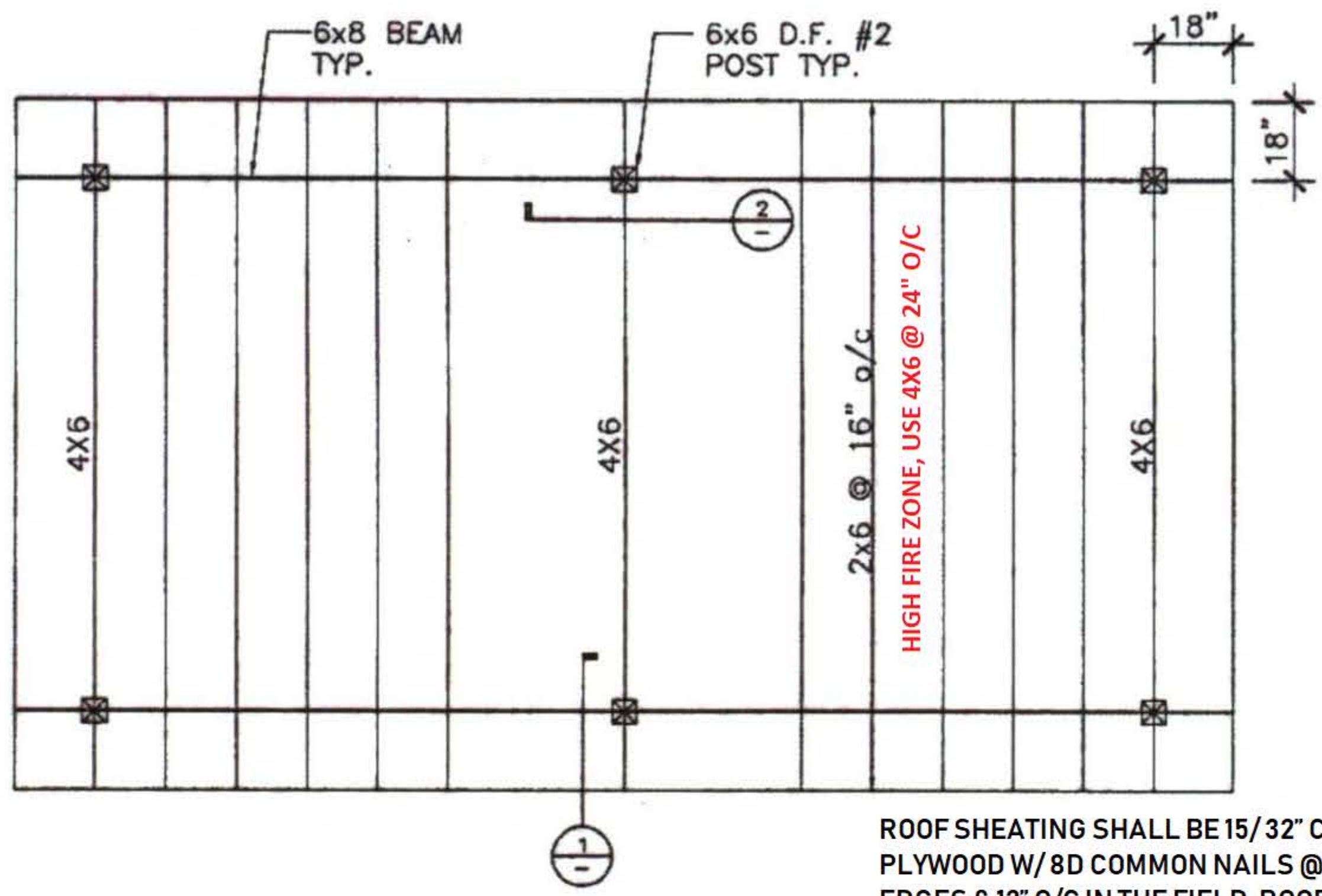
COUNTY OF RIVERSIDE
BUILDING & SAFETY DIVISION
STANDARD STRUCTURAL
CARPORT PLANS

SCALE NONE

284-170

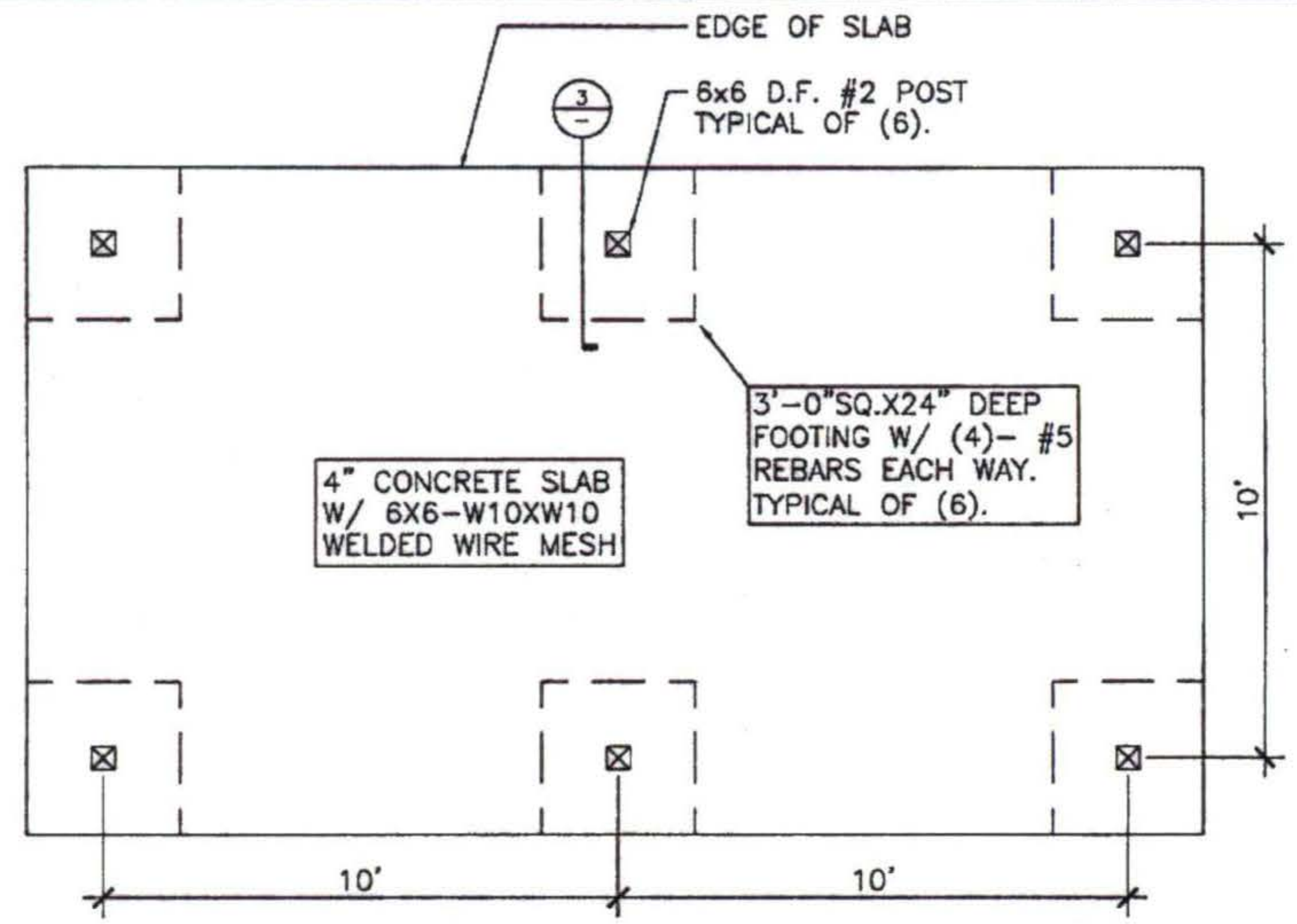
CARPORT PLANS

03/2021

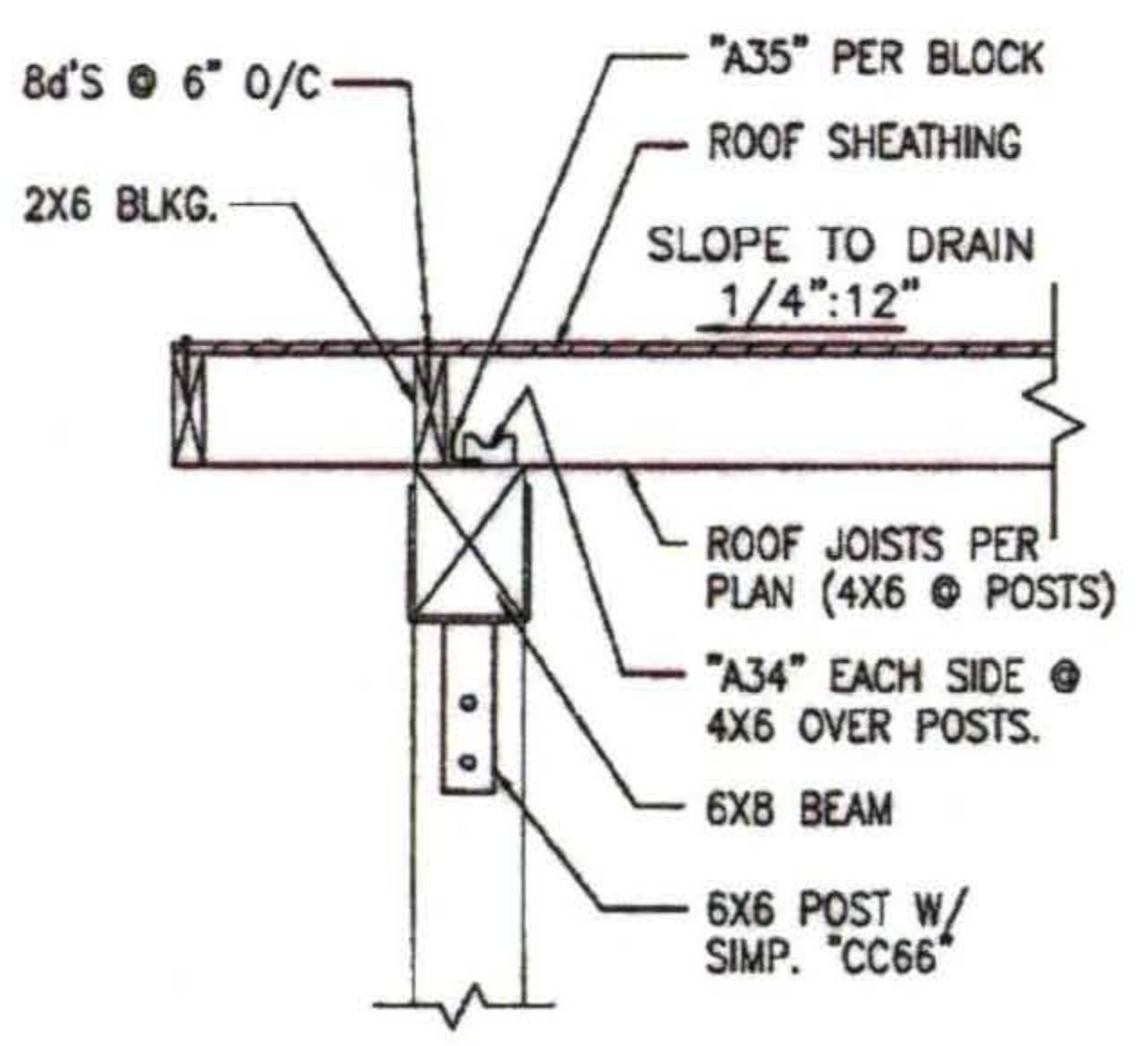


ROOF FRAMING PLAN

ROOF SHEATHING SHALL BE 15/32" C-D PLYWOOD W/ 8D COMMON NAILS @ 6" O/C ON EDGES & 12" O/C IN THE FIELD. ROOF SHEATHING SHALL BE CLASS "A" FOR HIGH FIRE ZONE

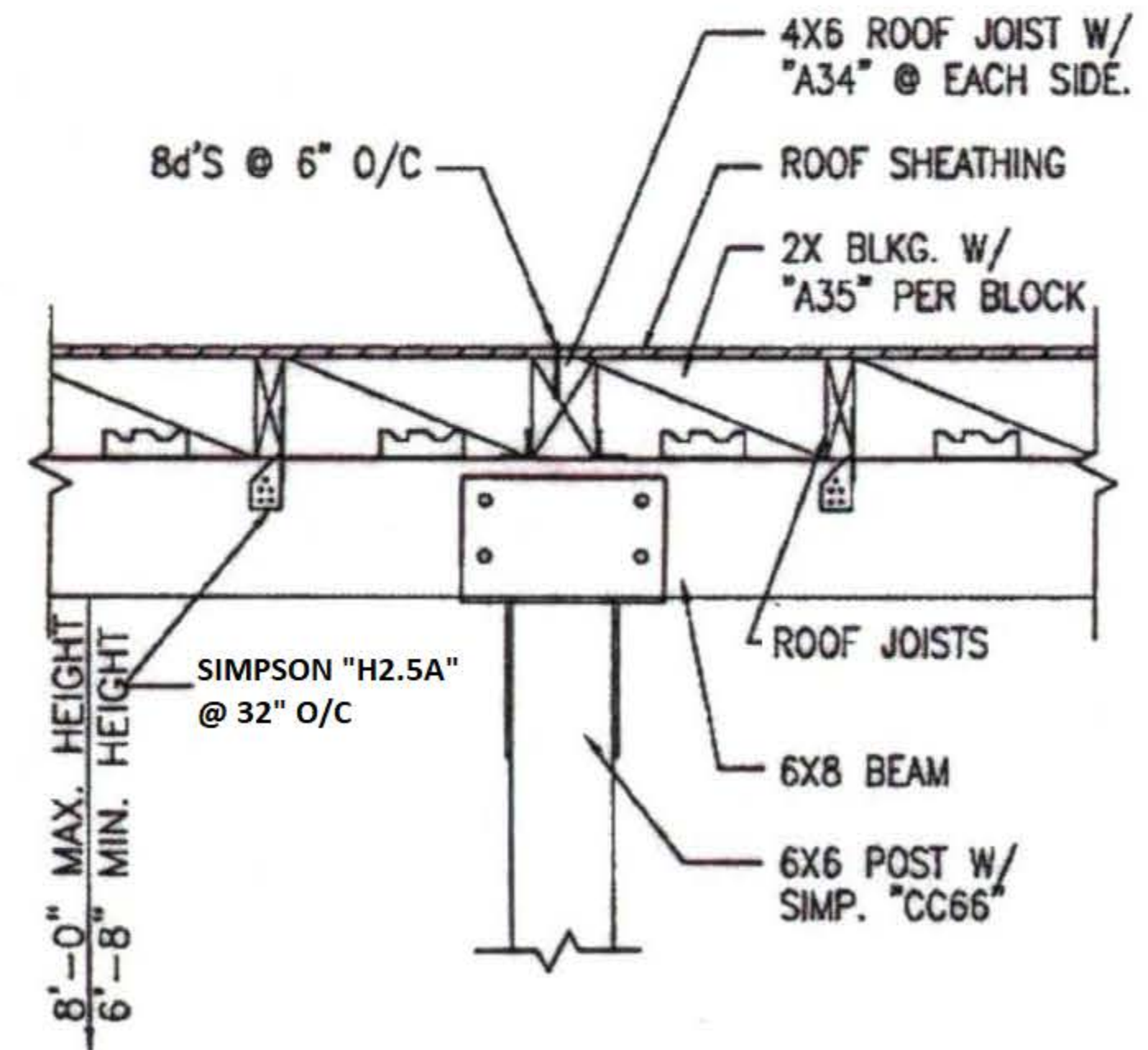


FOUNDATION PLAN



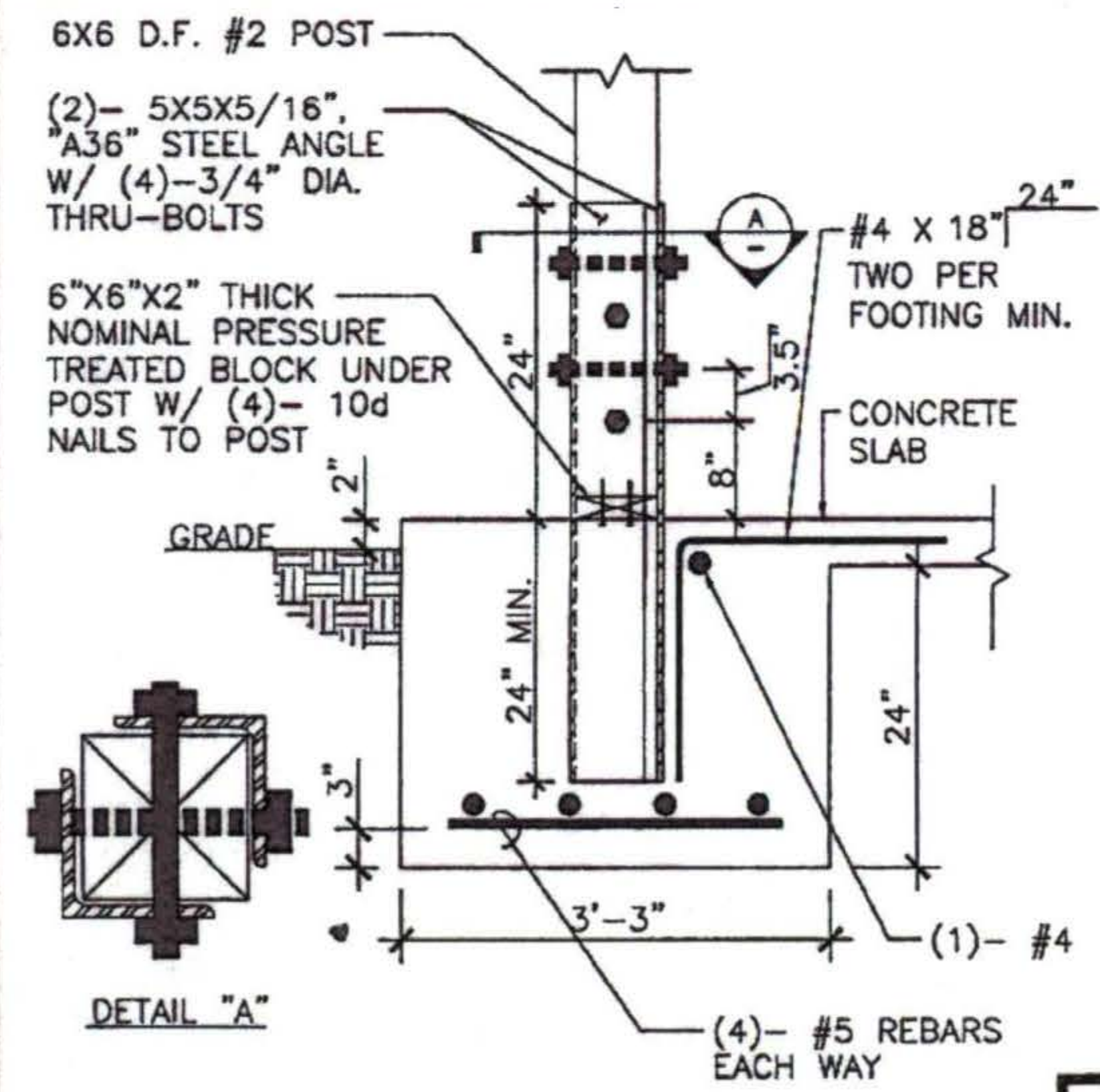
SHEAR TRANSFER DETAIL (ROOF JOISTS)

1



SHEAR TRANSFER DETAIL (BEAM END)

2



CONNECTION AT FOUNDATION

3